

# Technical data sheet

## 4005 I.S. telephone

Art. no 12091



### DESCRIPTION:

4005 I.S. telephone is an Exi certified telephone intended for extending the Batteryless Telephone emergency/backup communication system BTS 4000 into Hazardous Areas. The unit is dependant of the 4004 I.S. Buffer Unit equipped with proper Zener safety barriers.

### FEATURES:

- Hazardous Area Ex Zone 1, Gas approved
- Ex II2G / Ex ib IIB T4 Gb  $-20^{\circ}\text{C} \leq T_a \leq +40^{\circ}\text{C}$
- 12 extension line selector
- Call button
- Noise Cancelling microphone
- Optional Headset
- Compatible with Phontech BTS 4000 system



### Ex SAFETY PARAMETERS:

	Terminals	$U_i$	$I_i$	$P_i$	$C_i$	$L_i$
Mic/Ear line	25/26, 27/28	10V	200mA	0.50W	0.5nF	0mH
Buzzer line	30,31	22V	147mA	0.71W	0nF	0mH
Call lines	1-12, 29	28V	94mA	0.65W	<50nF	0mH
Max L/R ratio for supply cable	120 $\mu$ H/ $\Omega$					
Ex safety protection level	Ex II2G / Ex ib IIB T4 Gb $-20^{\circ}\text{C} \leq T_a \leq 40^{\circ}\text{C}$					

### ELECTRICAL SPECIFICATIONS:

Power supply	15V (protected) - Supplied from the 4004, I.S. Buffer Unit
Power consumption	None
Heat Dissipation	NA
Termination	Screw terminals $\leq 2.5\text{mm}^2$
Compass safe distance	>5m

# Technical data sheet

## 4005 I.S. telephone

Art. no 12091



### ENVIRONMENTAL SPECIFICATIONS:

Temperature	-15°C to +55°C
Humidity	+93% (at +40°C)
Protection	IP44

### MECHANICAL SPECIFICATIONS:

Dimension (WxHxD)	160x260x180mm
Weight	3.3kg
Material	ALSi
Colour	RAL 5001 (blue)
Mounting	Wall
Fixing	4 pcs M5 bolts
Access	Front
Cable entry	Bottom
Gland type	1 pcs M32
Manufacturer	Jotron AS

### CERTIFICATES / COMPLIANCES:

Complies to IEC 60945 Marine equipment
The unit has a RMRS/CCS type approval
Directive 94/9/EC - CENELEC EN 60079-0: 2012 and CENELEC EN 60079-11: 2012
Nemko 03ATEX1504

### PRODUCT RELATED TO:

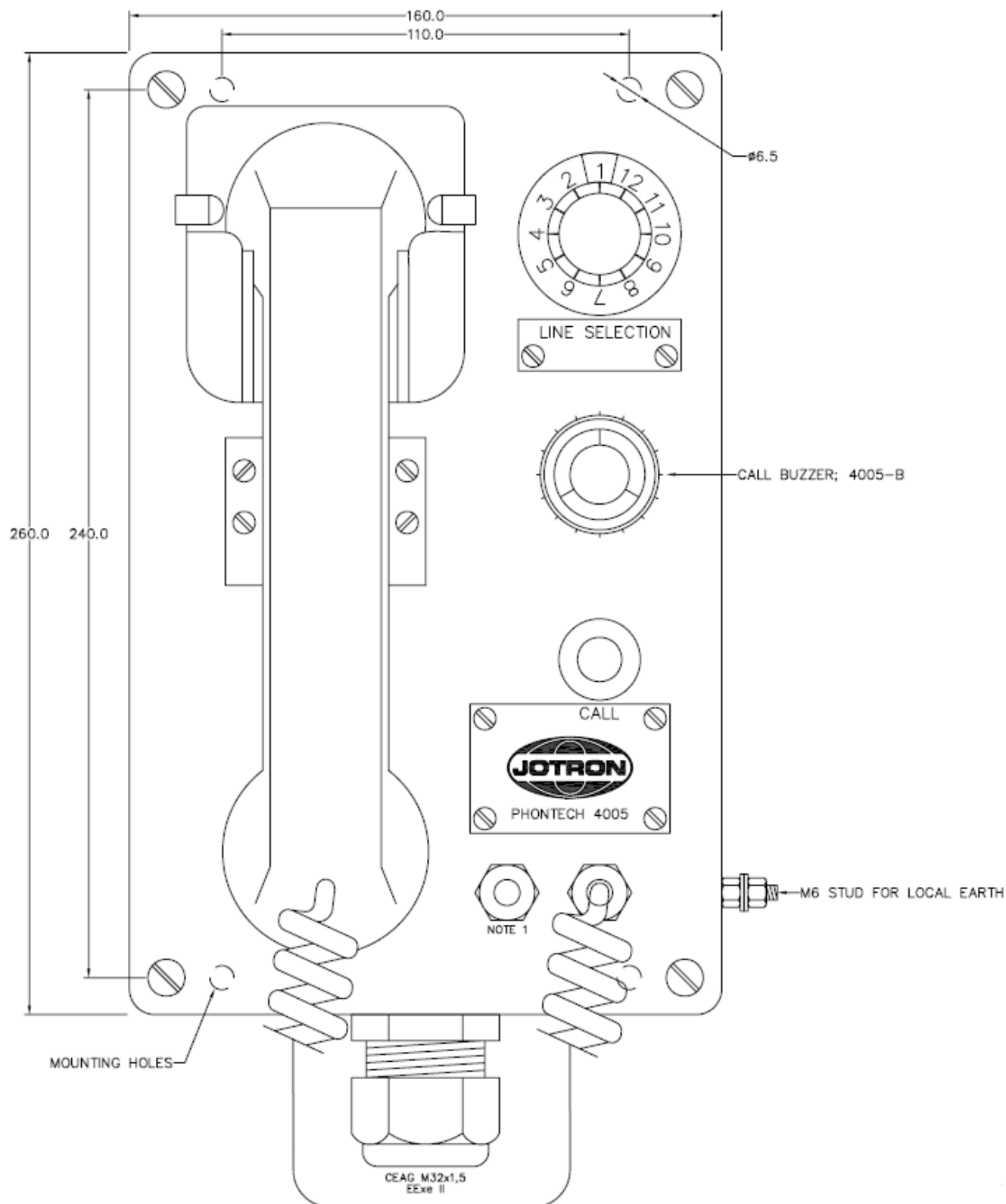
BTS 4000 (4060/4061)	Batteryless Telephone System, 12lines
4004	I.S. Buffer Unit
0032	I.S Headset

# Technical data sheet 4005 I.S. telephone

Art. no 12091

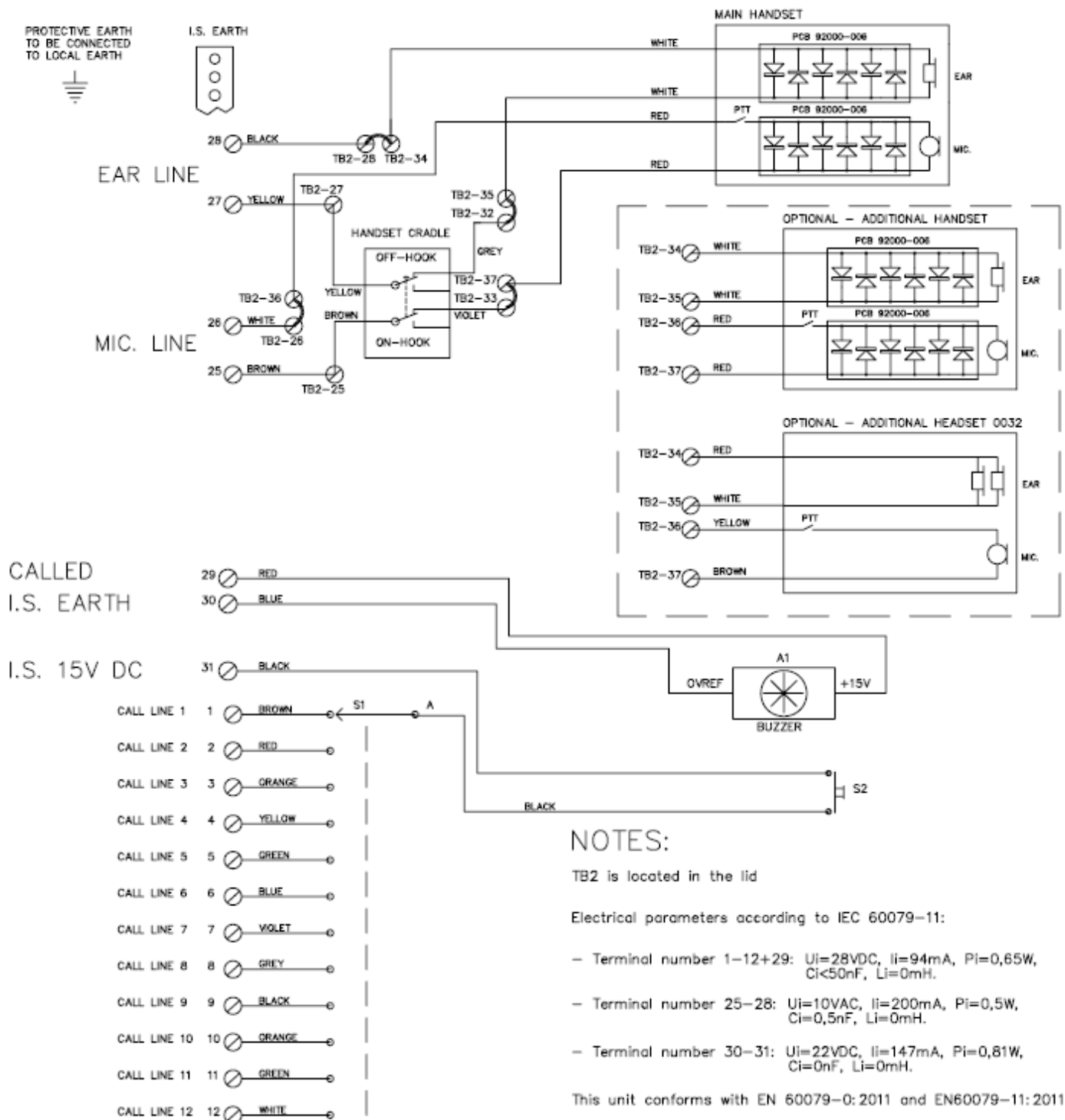


## DIMENSION / LAYOUT



# Technical data sheet 4005 I.S. telephone

Art. no 12091



## NOTES:

TB2 is located in the lid

Electrical parameters according to IEC 60079-11:

- Terminal number 1-12+29:  $U_i=28VDC$ ,  $I_i=94mA$ ,  $P_i=0,65W$ ,  $C_i<50nF$ ,  $L_i=0mH$ .
- Terminal number 25-28:  $U_i=10VAC$ ,  $I_i=200mA$ ,  $P_i=0,5W$ ,  $C_i=0,5nF$ ,  $L_i=0mH$ .
- Terminal number 30-31:  $U_i=22VDC$ ,  $I_i=147mA$ ,  $P_i=0,81W$ ,  $C_i=0nF$ ,  $L_i=0mH$ .

This unit conforms with EN 60079-0:2011 and EN60079-11:2011

For detail connection between telephones and Buffer unit 4004, please refer to project related External connection drawing.

HEADSET 0032 = Peltor/3M MT7H79B-50 (Nemko 09ATEX1114X)