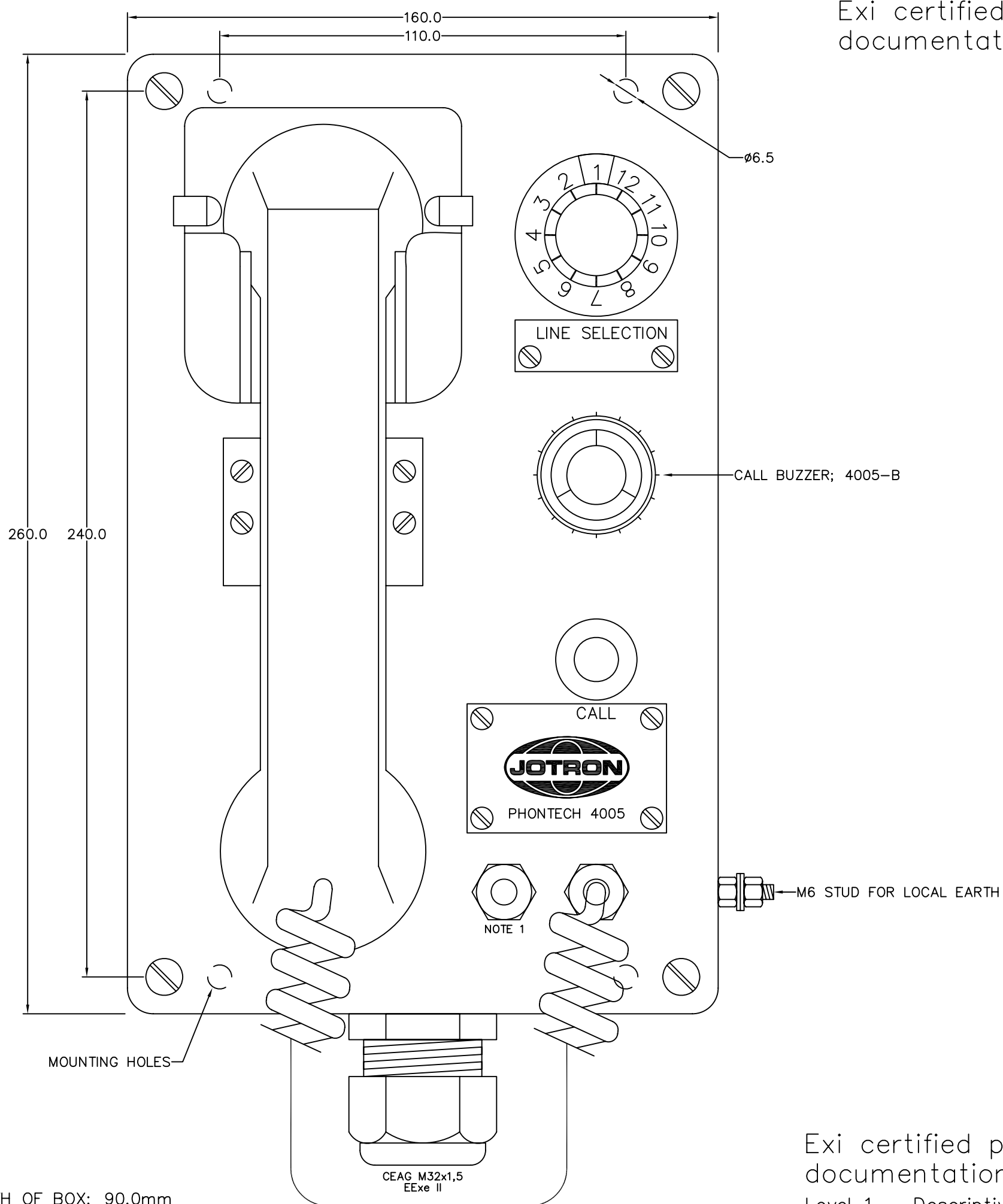


1

2

3

4

Exi certified product
documentationExi certified product
documentation
Level 1 – Descriptive Document

–DEPTH OF BOX: 90.0mm
 –DEPTH TOTAL: 180.0mm
 –GENERAL TOLERANCE +/-0.1mm

NOTE 1:
 GLAND FOR EXTRA HANDSET OR
 HEADSET 0032A IS OPTION.

NOTE 2:
 Group of alloys: ALSi
 Structural material symbol:
 GD-ALSi12 (DIN1725) EN AC-44300
 (DIN EN 1706)

EQUIPMENT DATA:

MANUFACTURER	: JOTRON AS	FIXING DETAILS	: 4pcs. M5 BOLT.
MODEL/TYPE	: BTS 4005 / 4005-B	ACCESS	: FRONT.
RACK/BOX SUPPL.	: ROLEC.	CABLE ENTRY	: BOTTOM.
RACK/BOX TYPE	: AK 162.	GLAND TYPE	: M32 ø12-21.
MATERIAL	: ALSi (NOTE 2)	PROTECTION IP	: IP-44.
COLOUR	: BLUE.	POWER SUPPLY	: FROM BUFFER UNIT.
WEIGHT OF UNIT	: APP. 4,00Kg.	POWER CONSUMP.	: NA.
MOUNTING	: TO WALL.	HEAT DISSIPATION	: NA.

REV No.	ISSUE DATE	REASON FOR ISSUE	PREPARED	CHECKED	APPROVED
09	07.10.2013	REVISION, CN00238/239	ASK	TEH	ASK
08	02.07.2013	REVISION, CN00206/207	ASK	TEH	ASK
07	30.01.2012	CHANGE ORDER EM 1427	R.F.	CD	ASK
06	30.09.2009	CHANGE ORDER EM 1221	ASK	TBA	ASK
05	08.04.2008	CHANGE ORDER No. 1131	R.F.	ED	TBA
04	24.06.2003	CHANGE ORDER No. 955	R.F.	ED	TBA
03	23.10.2000	CHANGE ORDER No. 806	R.F.	TBA	TBA
02	28.01.1993	CHANGE ORDER No. 425	R.F.	ASK	TBA
01	28.01.1992	CHANGE ORDER No. 402	R.F.	ASK	TBA



This document is the property of JOTRON
 and must not be copied or shown
 to a third person without our written consent.
 This document belongs to an Exi certified
 product. No changes must be made without
 approval of the certification authority and/or
 Jotron's Ex responsible person

TITLE: 4005, INTRINSICALLY SAFE BATTERYLESS
 TELEPHONE UNIT
 MECHANICAL LAYOUT.

SIZE:	A3	PAGE:	1 of 1
DRAWING No:	88400-002-ML		
FILE NAME:	88400-002-ML.DWG		

1

2

3

4